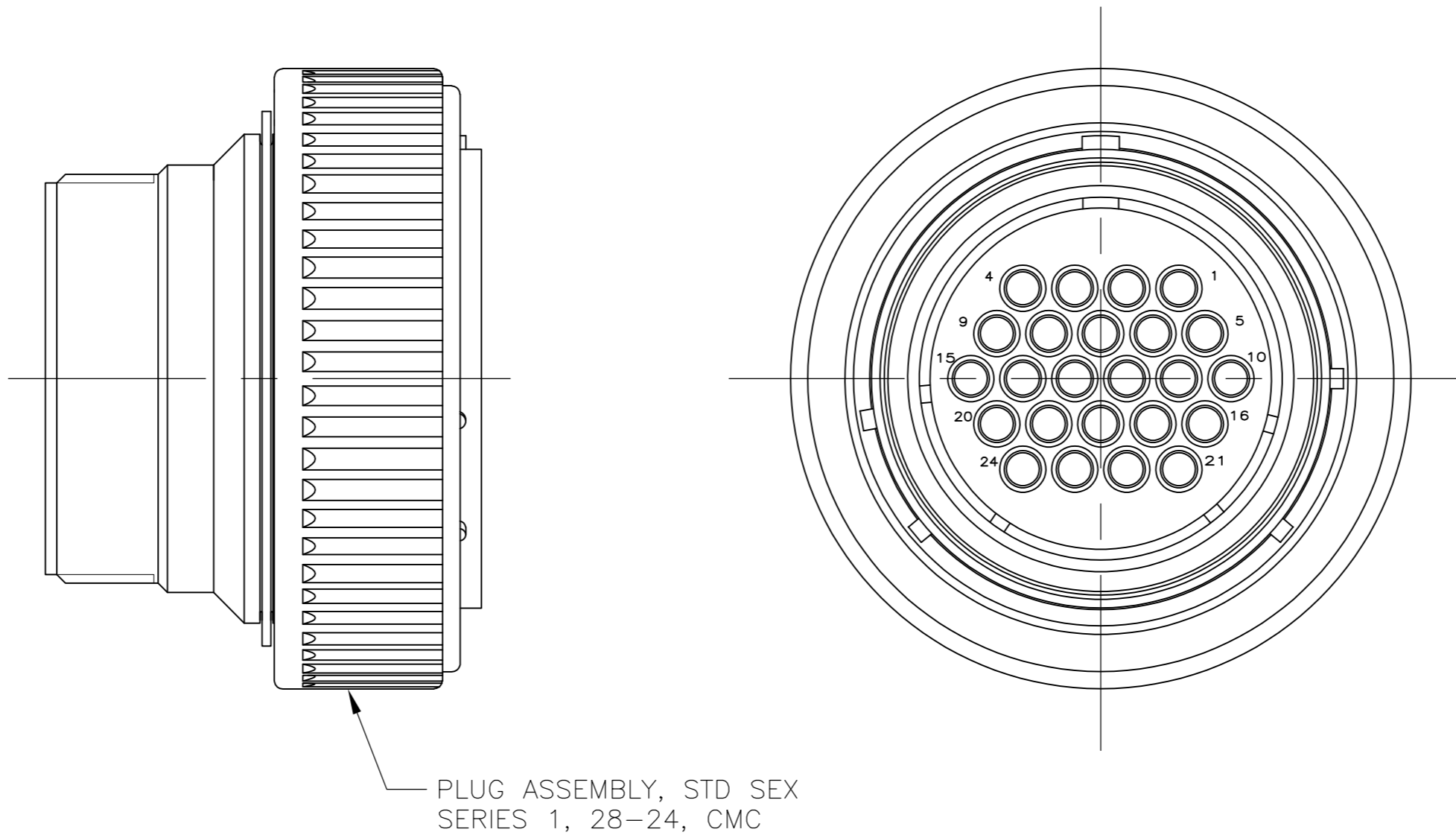


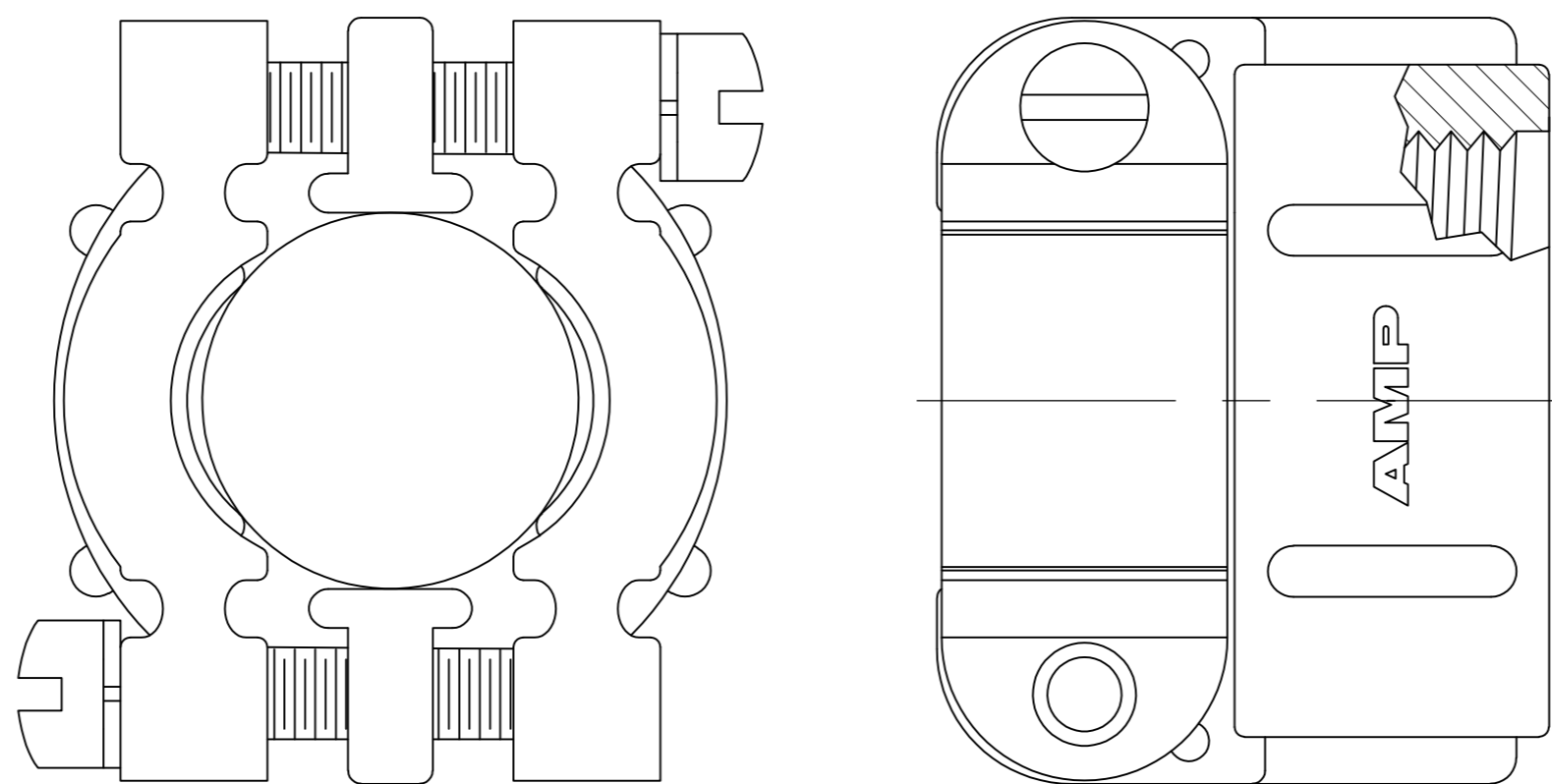
THIS DRAWING IS UNPUBLISHED. RELEASED FOR PUBLICATION
 © COPYRIGHT BY TYCO ELECTRONICS CORPORATION. ALL RIGHTS RESERVED.

LOC	DIST	REVISIONS			
P	LTR	DESCRIPTION	DATE	DWN	APVD
FT	0	A -	7/18/07	SS	SH

- KIT TO INCLUDE (1) CABLE CLAMP ASSEMBLY AND (1) PLUG ASSEMBLY EACH PACKAGED SEPARATELY IN (1) CONTAINER.



PLUG ASSEMBLY, STD SEX SERIES 1, 28-24, CMC



CABLE CLAMP KIT, SHOWN ASSEMBLED SIZE 28

1986221-1
PART NUMBER

THIS DRAWING IS A CONTROLLED DOCUMENT.		DWN	S SCHLEGEL	7/18/07	Tyco Electronics Corporation Harrisburg, PA 17105-3608		
DIMENSIONS: INCHES		CHK	S HEADER	7/18/07			
		TOLERANCES UNLESS OTHERWISE SPECIFIED:		APVD	S HEADER	7/18/07	NAME PLUG ASSEMBLY, 28-24 AND CABLE CLAMP KIT
MATERIAL		FINISH		PRODUCT SPEC	-		
-		-		APPLICATION SPEC	-		RESTRICTED TO
-		-		WEIGHT	-		SIZE
-		-		CUSTOMER DRAWING			A2
-		-		SCALE			2:1
-		-		SHEET			1 of 1
-		-		REV			A

1986221